

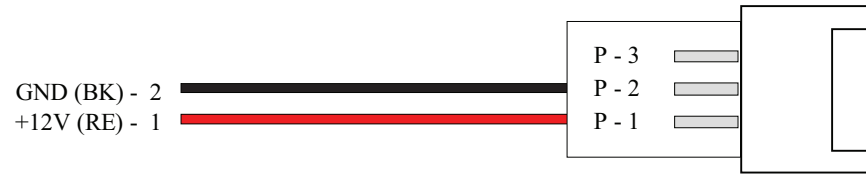
Installation Guide for AC-2100 V1.0

Fingerprint Identification Terminal

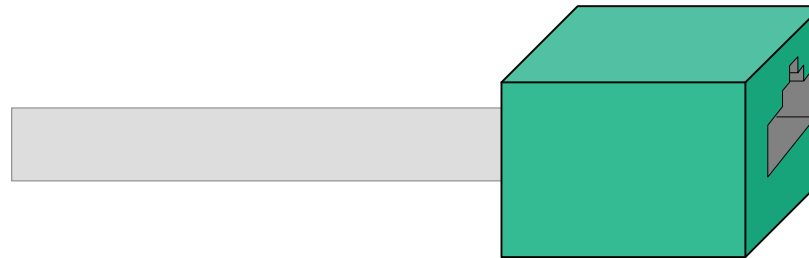


SEP., 16. 2009
Ness Corporation
www.ness.com.au.

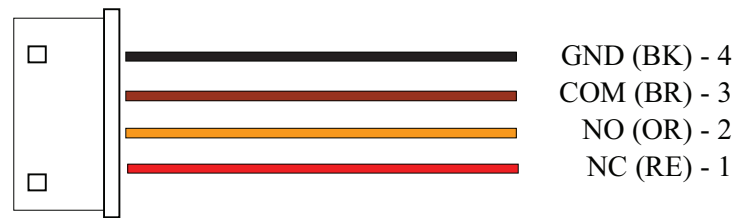
1. The Description of External Cables



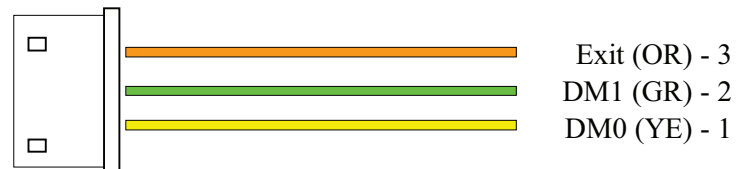
Power Adapter Cable



10Base-T Ethernet Cable (RJ45)

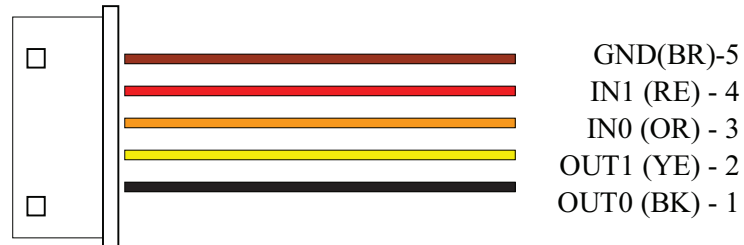


Lock Cable (4P)



Lock Monitor & Exit Cable (3P)

1. The Description of External Cables(Continued)



Wiegand Cable (5P)

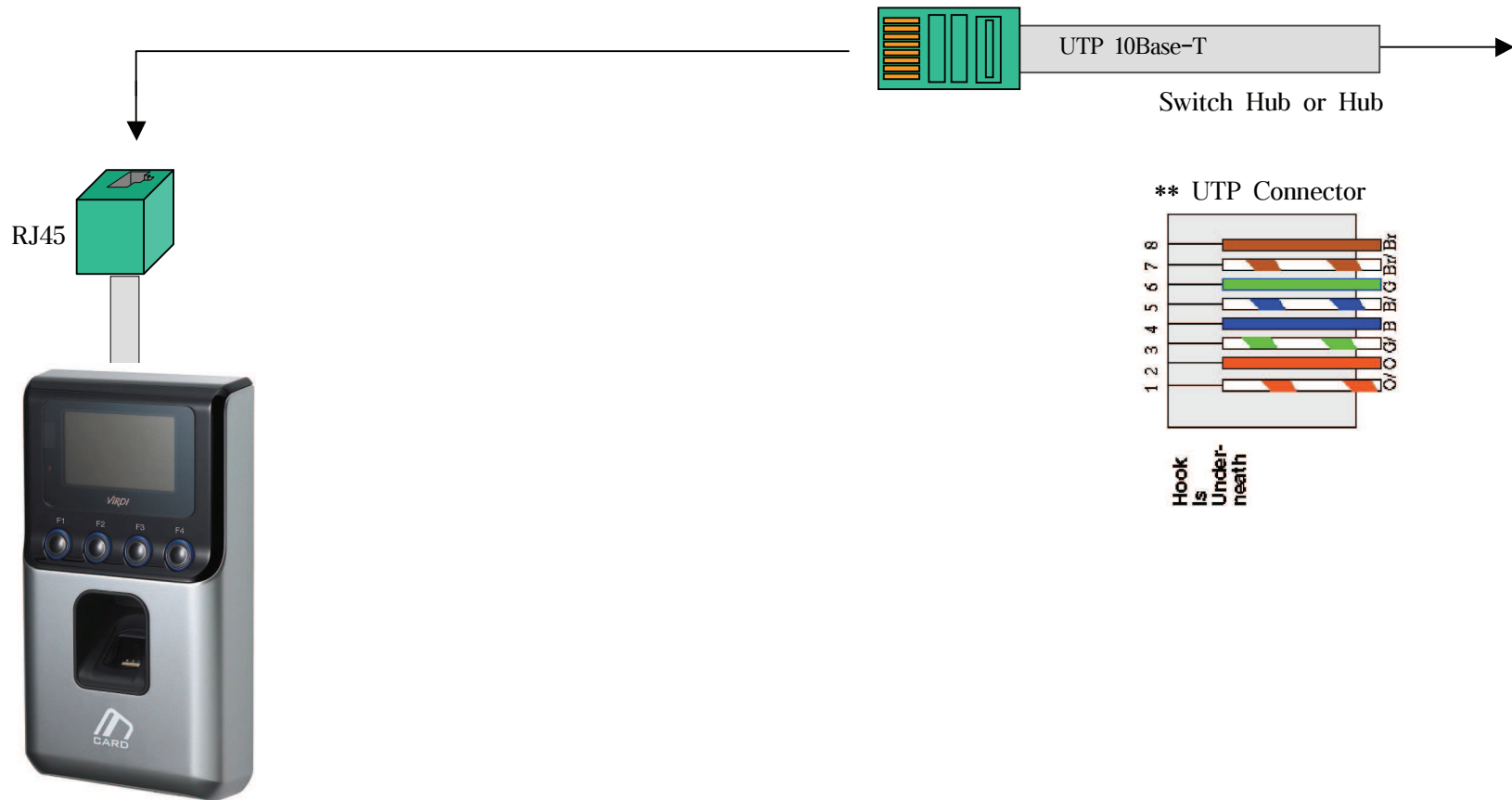


RS232 Cable (3P)

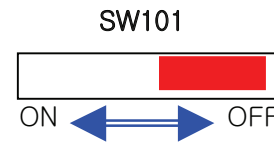
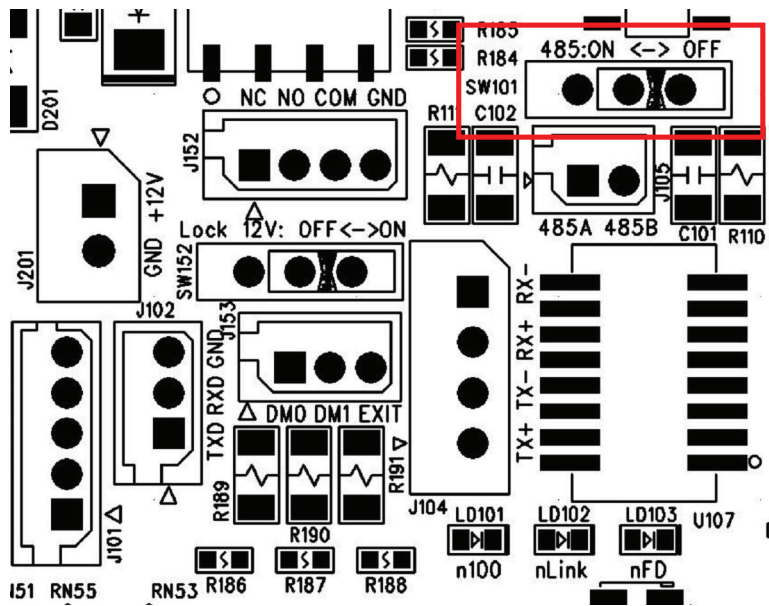


RS485 Cable (2P)

2. Connecting Ethernet (LAN) Cable



3. Setting the Resistor of RS485 Ended Termination

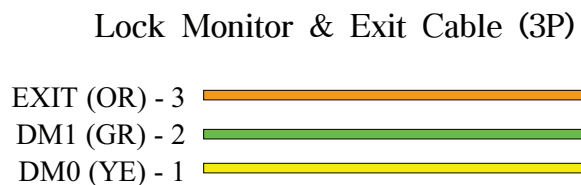
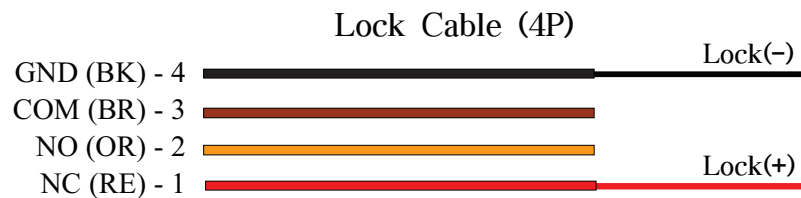
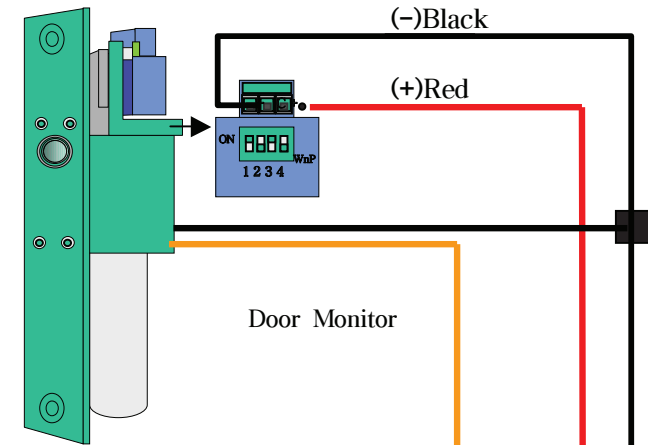
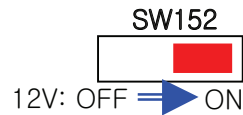


- * Default Setting is off.
- * ON: 120 Ohm Resistor is connected between 485A and 485B

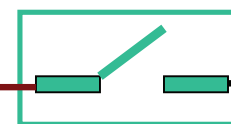
4. Connecting Dead-Bolt Type Door Lock (Fail Safe)

4.1. Connect with One System/ One Lock

Lock Type Select S/W

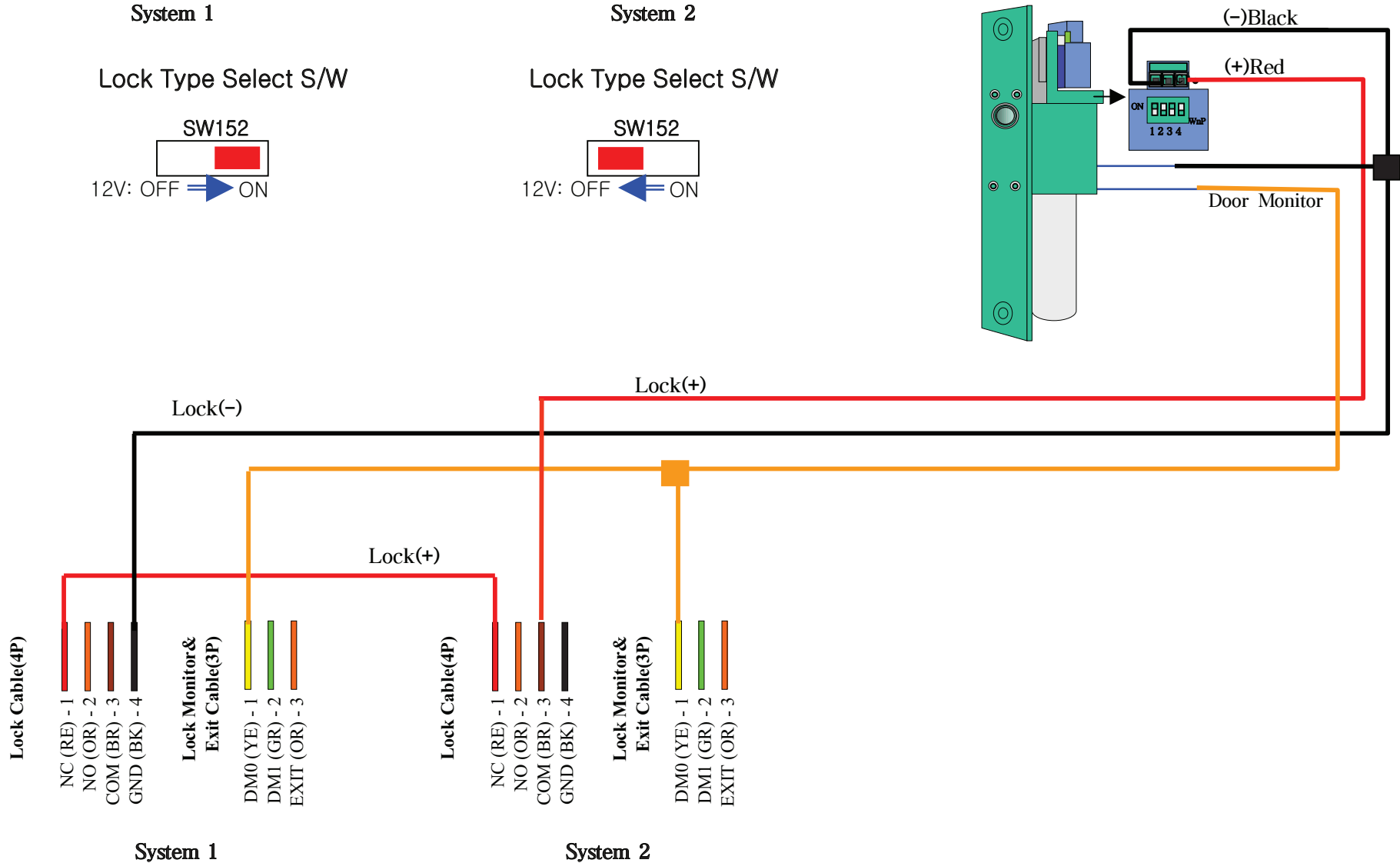


Inside Door Open S/W



4. Connecting Dead-Bolt Type Door Lock (Fail Safe)

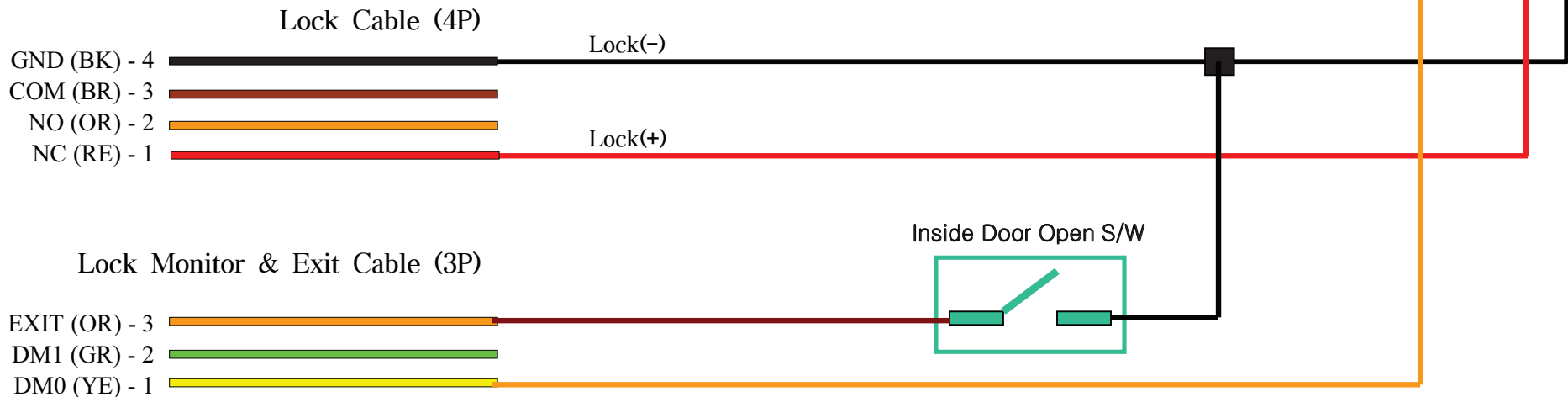
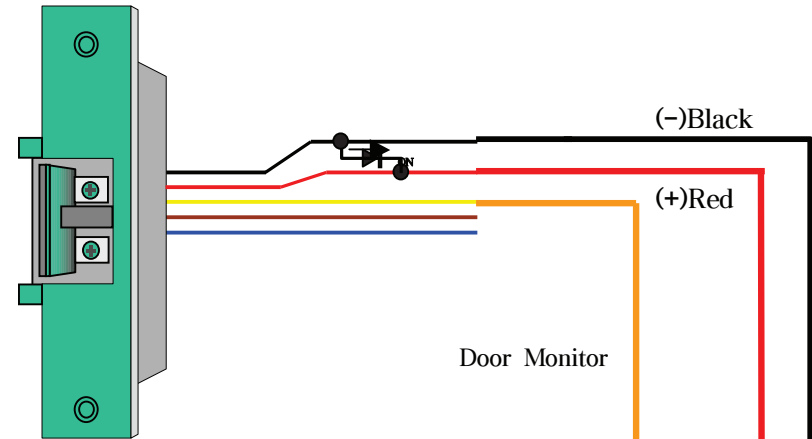
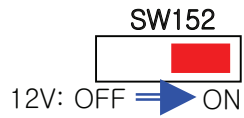
4.2. Connect with Two Systems/ One Lock



5. Connecting Strike Type Door Lock (Fail Safe)

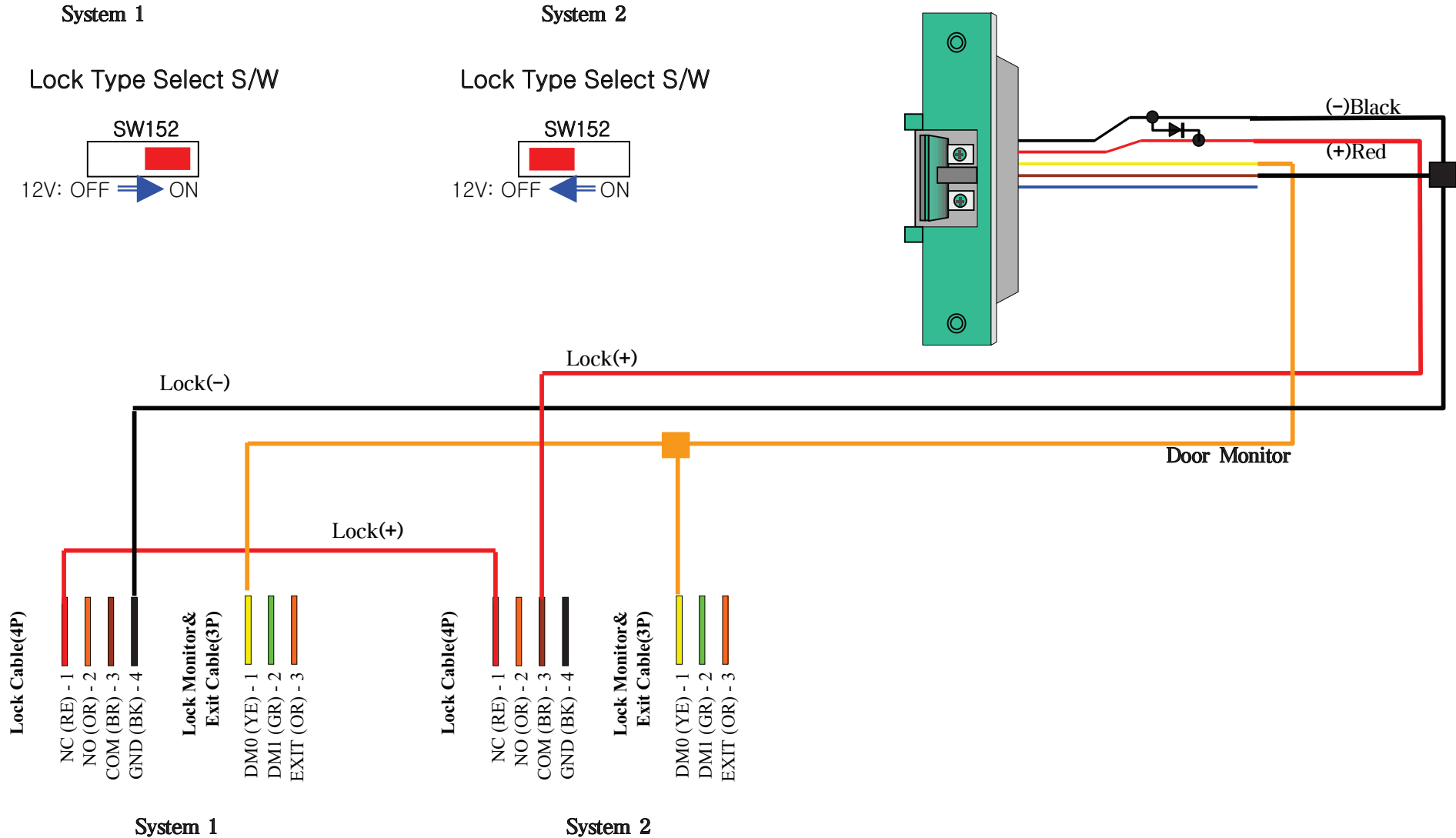
5.1. Connect with One system/ One Lock

Lock Type Select S/W



5. Connecting Strike Type Door Lock (Fail Safe)

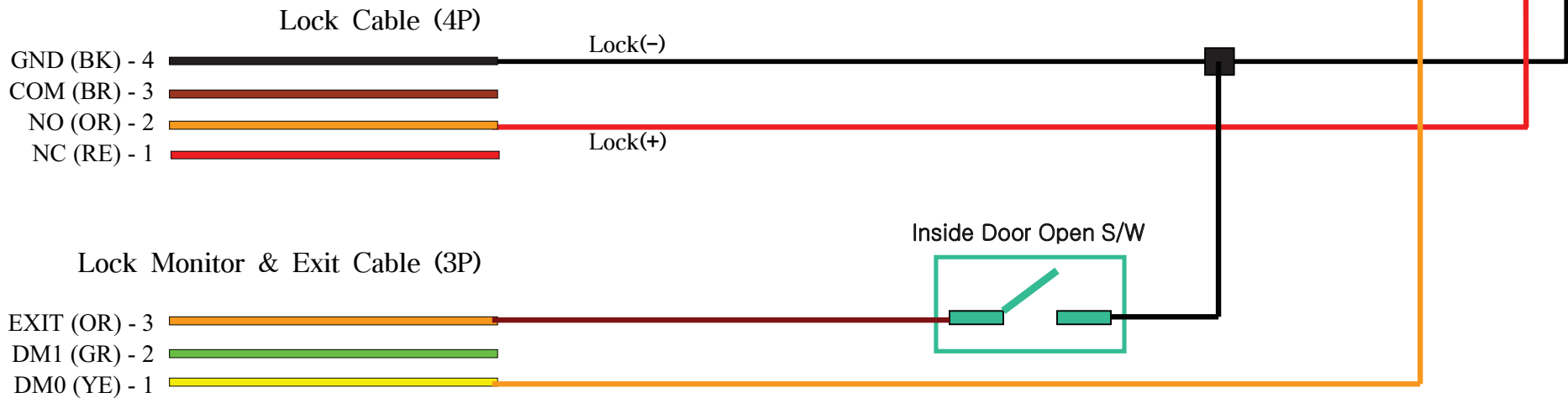
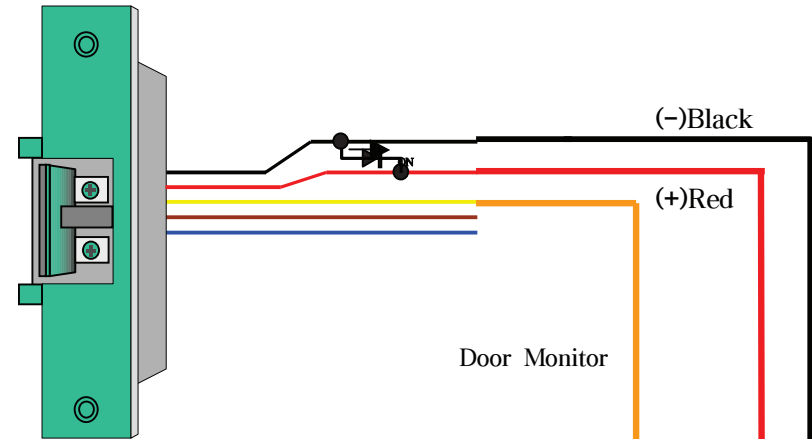
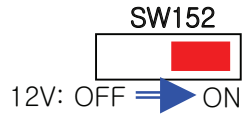
5.2. Connect with Two systems/ One Lock



6. Connecting Strike Type Door Lock (Fail Secure)

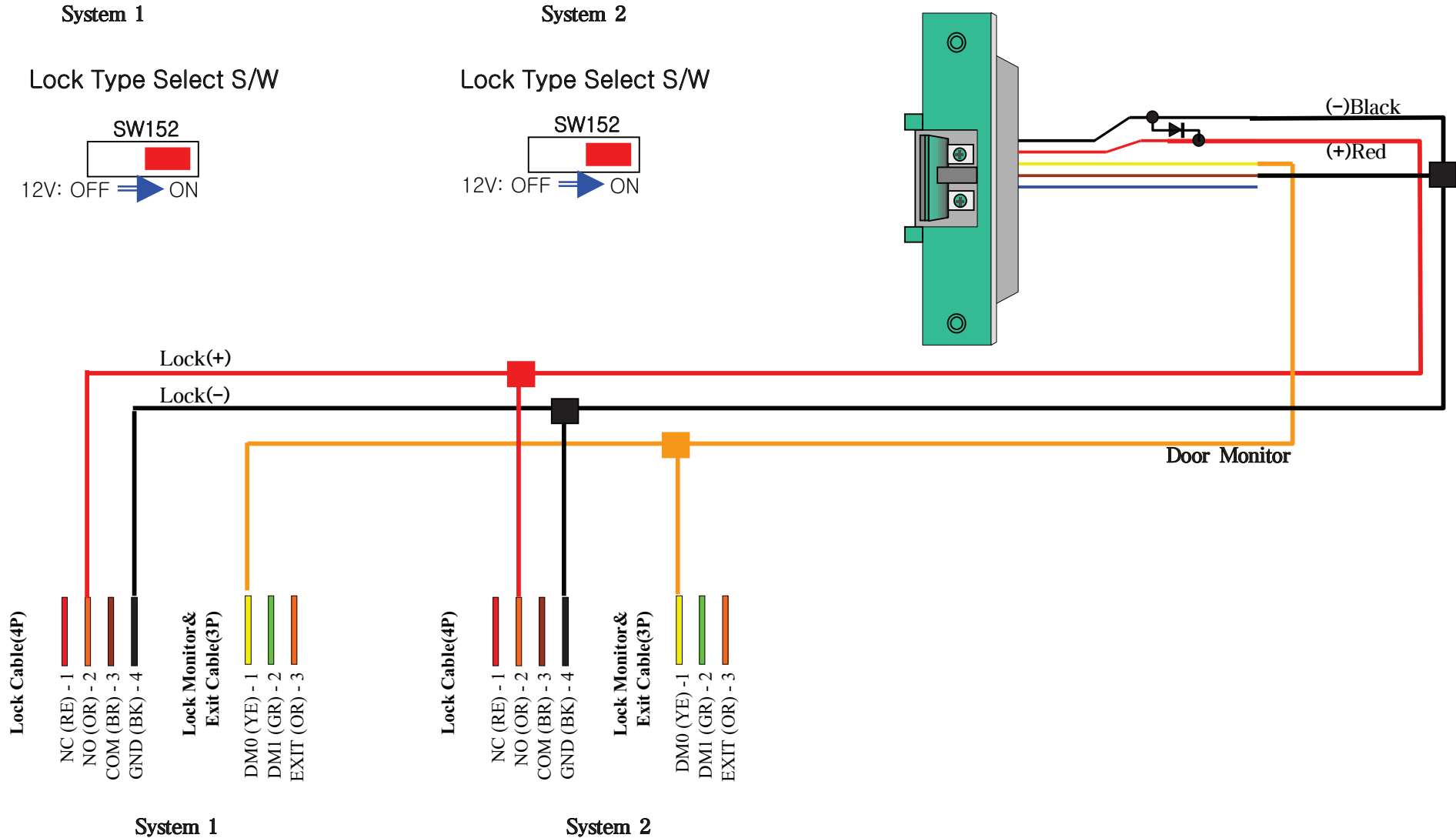
6.1. Connect with One system/ One Lock

Lock Type Select S/W



6. Connecting Strike Type Door Lock (Fail Secure)

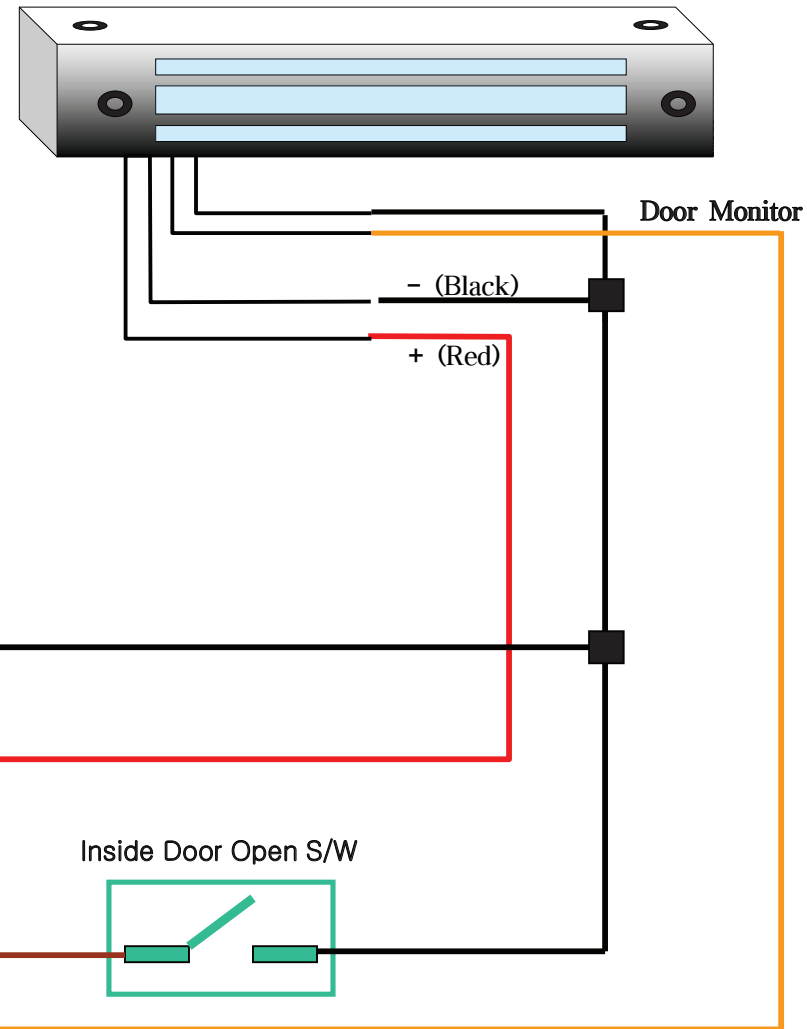
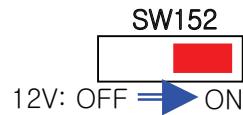
6.2. Connect with Two systems/ One Lock



7. Connecting EM Type Door Lock (Fail Safe)

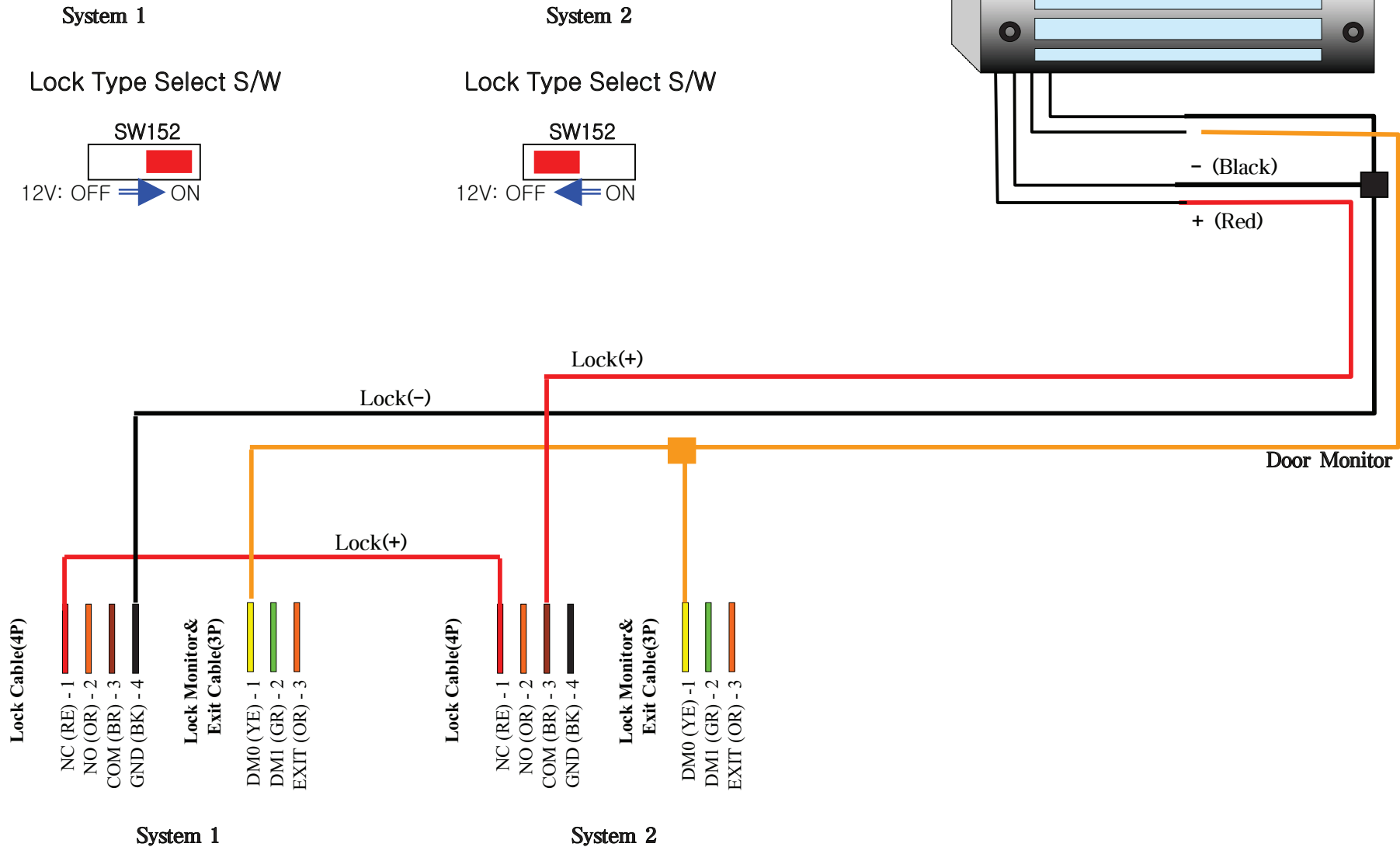
7.1. Connect with One system/ One Lock

Lock Type Select S/W



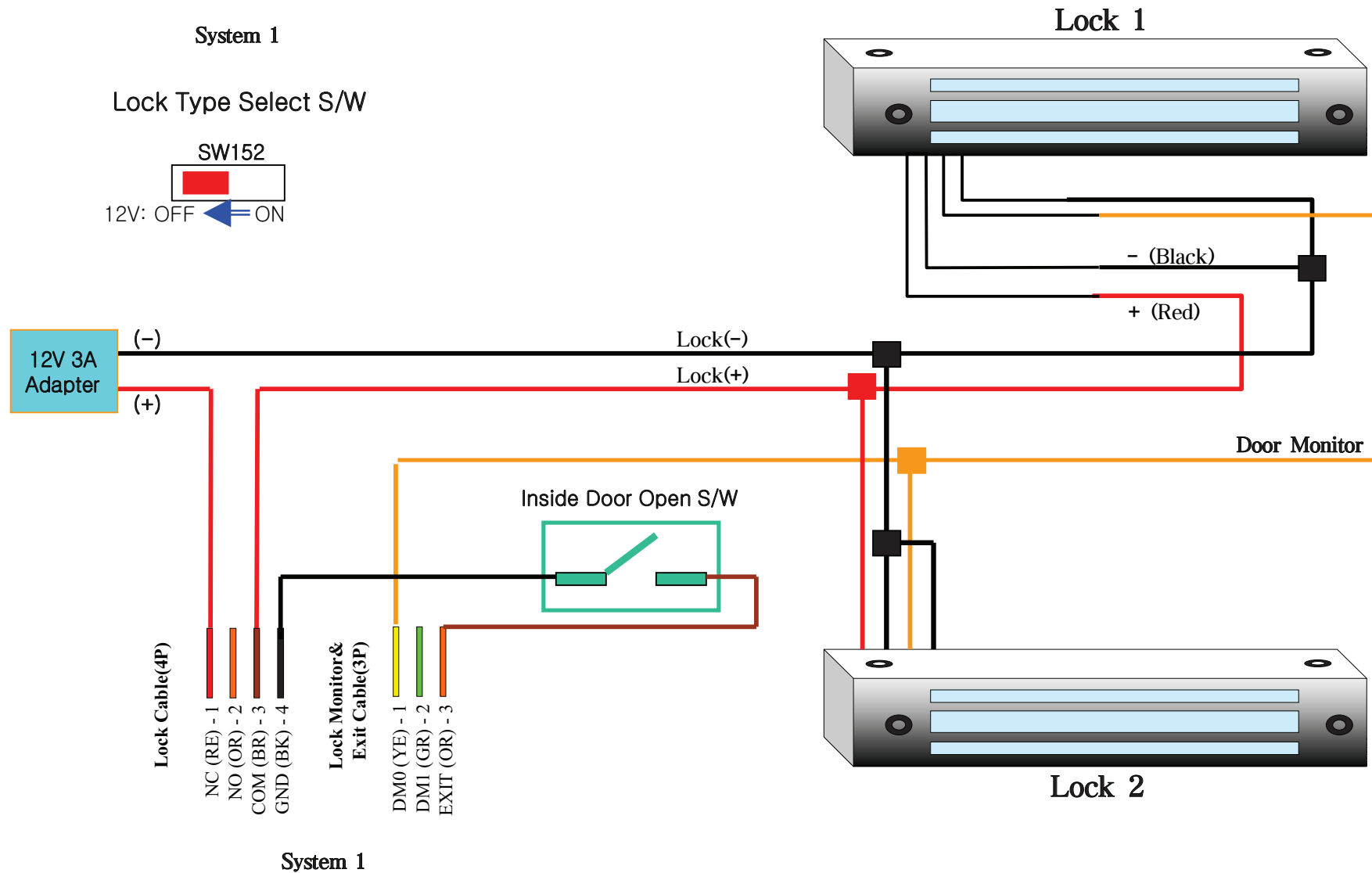
7. Connecting EM Type Door Lock(Fail Safe)

7.2. Connect with Two System/ One Lock



7. Connecting EM Type Door Lock (Fail Safe)

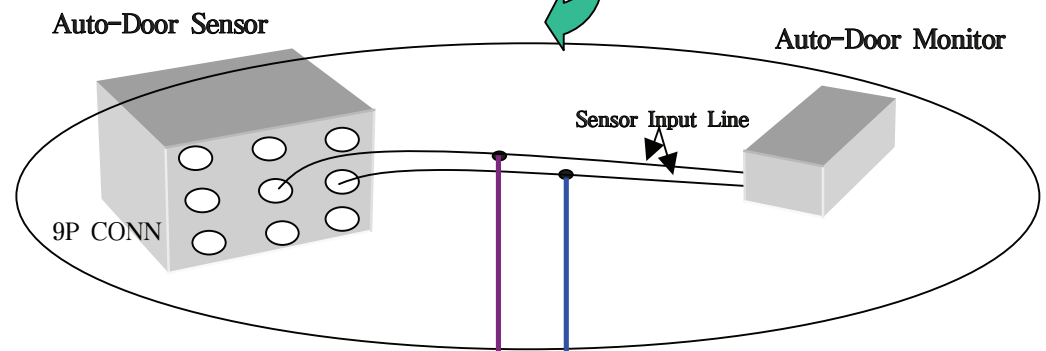
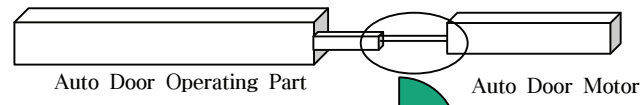
7.3. Connect with One system/ Two Locks ** Use external DC Power adapter



8. Connecting Auto-Door (Contact Control)

8.1. Connect with One system/ One Door

System 1
 Lock Type Select S/W
 SW152
 12V: OFF ← ON



System 1

8. Connecting Auto-Door (Contact Control)

8.2. Connect with Two systems/ One Door

