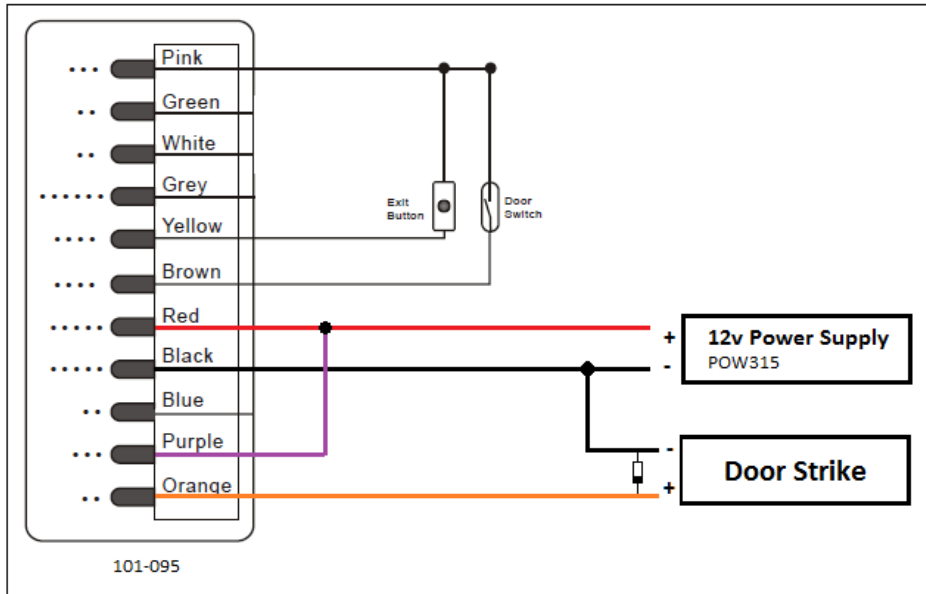


101-082 – Door Strike Wiring Diagram

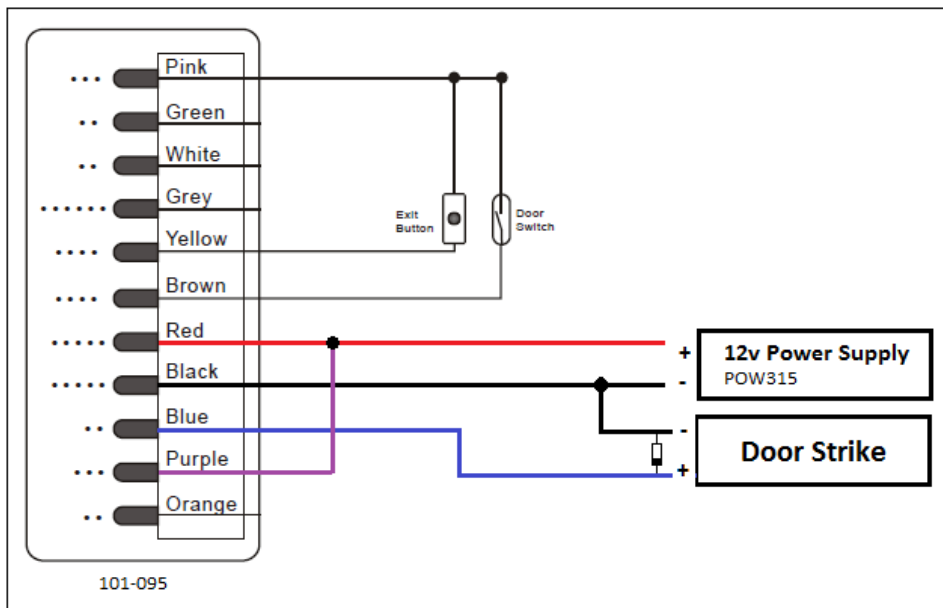
POWER TO LOCK

Door strike is locked without any power



POWER TO UNLOCK

Door strike is unlocked and requires power to lock



RESOURCES

Should you have any questions or run into issues, here are some resources that may be of assistance:

National Technical Support:

1300 551 991

Monday – Friday (8:30AM – 5:00PM)

Email:

customerservice@ness.com.au

Ness Forum:

www.nesscorporation.com.au/nessforum

Ness YouTube Channel:

www.youtube.com/nesscorporation