

How to set bus address for Flex5 and Wireless Expander

Introduction

This technical note will show you how to address the Flex5 and wireless expanders so that you can use them on the panel.

Things to know before you begin

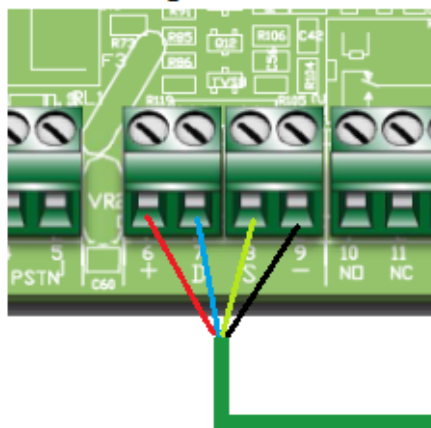
Ensure you already know what devices are enrolled on the system and what addresses have been used before adding the module to the data bus.

Ensure you have the system powered down before wiring any new modules to the data bus.

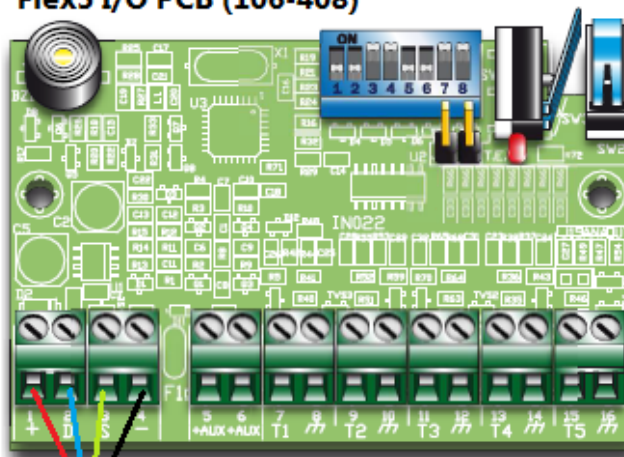
How to address the modules

1. Ensure you have the service / maintenance jumper set.
2. Ensure you have wired the module into the data bus.

SmartLiving Panel PCB



Flex5 I/O PCB (106-408)



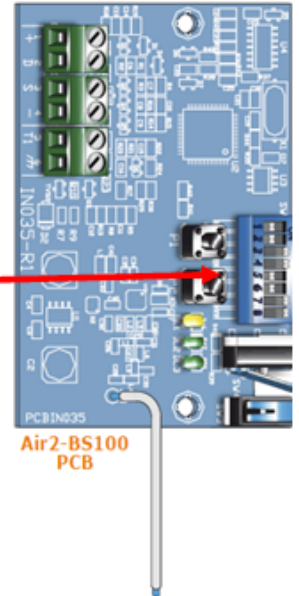
3. Set the DIP switches on the module to the required Address.

For example:

To set address 2 you would set the dip switch to be 00000001 (0 = off, 1 = on)



	Expansion - Transceiver address		SmartLiving505 and 515								Keypad address		
	12345678	DIP-switch	Reader address	Red	Blue	Green	Yellow	nBy/S	nBy/X				
SmartLiving 505	1	00000000	1	0	0	0	1	○	○	○	●	⊕	1
	2	00000001	2	0	0	1	0	○	○	○	○	⊕	2
	3	00000010	3	0	0	1	1	○	○	○	○	⊕	3
	4	00000011	4	0	1	0	0	○	○	○	○	⊕	4
	5	00000100	5	0	1	0	1	○	○	○	○	⊕	5
SmartLiving 515	6	00000101	6	0	1	1	0	○	○	○	○	⊕	6
	7	00000110	7	0	1	1	1	○	○	○	○	⊕	7
	8	00000111	8	1	0	0	0	○	○	○	○	⊕	8
	9	00001000	9	1	0	0	1	○	○	○	○	⊕	9
	10	00001001	10	1	0	1	0	○	○	○	○	⊕	10
	11	00001010	11	1	0	1	1	○	○	○	○	⊕	11
	12	00001011	12	1	1	0	0	○	○	○	○	⊕	12
	13	00001100	13	1	1	0	1	○	○	○	○	⊕	13



Additional Information:

Customer Service

Phone: 1300 551 991 (M-F 8:30am – 5:00pm)
Email: customerservice@ness.com.au
YouTube: www.youtube.com/nesscorporation