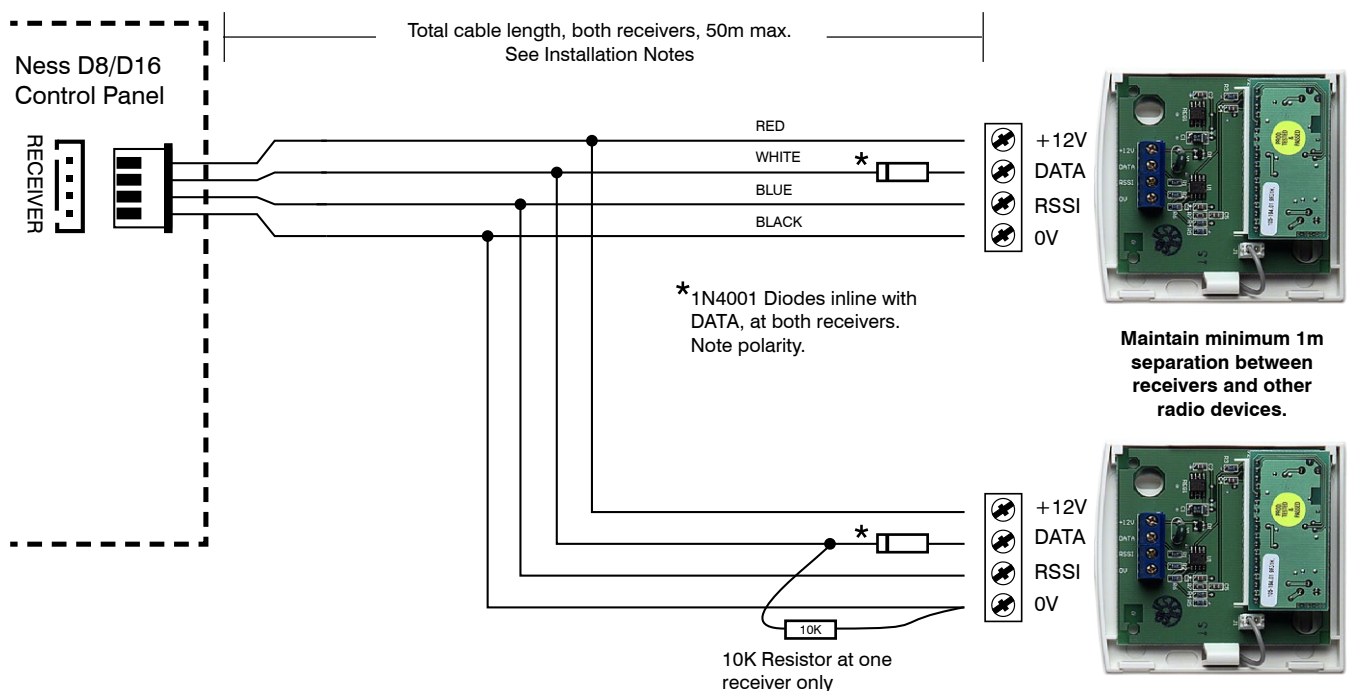


TECH NOTE	Connect two 100-200 Radio Interfaces to a D8/D16 (X series or XCEL series) control panel.
PURPOSE	Increase radio coverage by adding a second receiver in another part of the premises.
PARTS REQUIRED	Up to 2 x 100-200 Ness radio Interfaces. 2 x general purpose diodes such as 1N4148 or 1N4001 1 x 10K resistor <i>Diodes and resistors available from Jaycar, RS Components.</i>
METHOD	Both receivers connect to the control panel in parallel and diodes are fitted at each receiver in series with the DATA line. The DATA line on the control panel side is held low via a 10K resistor.



### INSTALLATION NOTES (For single or dual receivers)

- The Ness Radio Interface should be installed outside the control panel to prevent interference from the control panel's electronics. If the Radio Interface must be installed inside a metal enclosure, the antenna wire should protrude outside the enclosure.
- In cases where radio reception needs to be improved, the Radio Interface can be installed up to 50 metres away from the control panel. Use 14/0.20 SHIELDED cable or equivalent. The shield can either be connected to the EARTH connection or left unconnected. Leave the shield unconnected at the receiver end.
- For best performance, the antenna wire should be kept straight and not coiled, shortened or extended. An optional external antenna is available (100-046) for use in areas where the radio signal is marginal.
- Instructions for enrolling radio devices can be found in the D8/D16 Installation manual.

Rev 1.0 July21